

Mitutoyo

AT353

SERIES 539 Sealed Linear Encoder

**High-accuracy
Real Absolute
Sealed Linear Encoder
for High-speed Motion!**



NEW

FEATURES

- Hybrid real absolute glass scale with electrostatic capacitance/photoelectric technology.
- No origin point restoration required.
- 0.05 μ m resolution.
- Serial data output of Absolute position.
- High response speed of 2m/sec (120m/min).
- Direct connection with FANUC NC controller.
- Good protection against harsh environment.

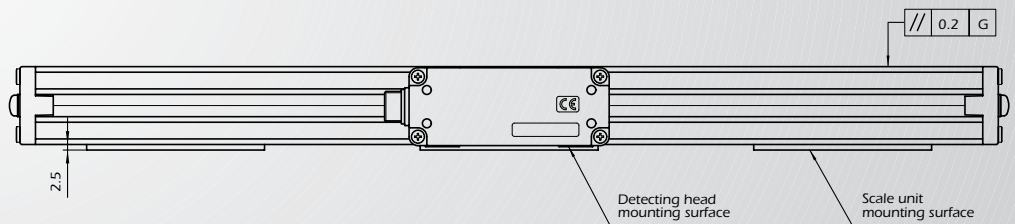
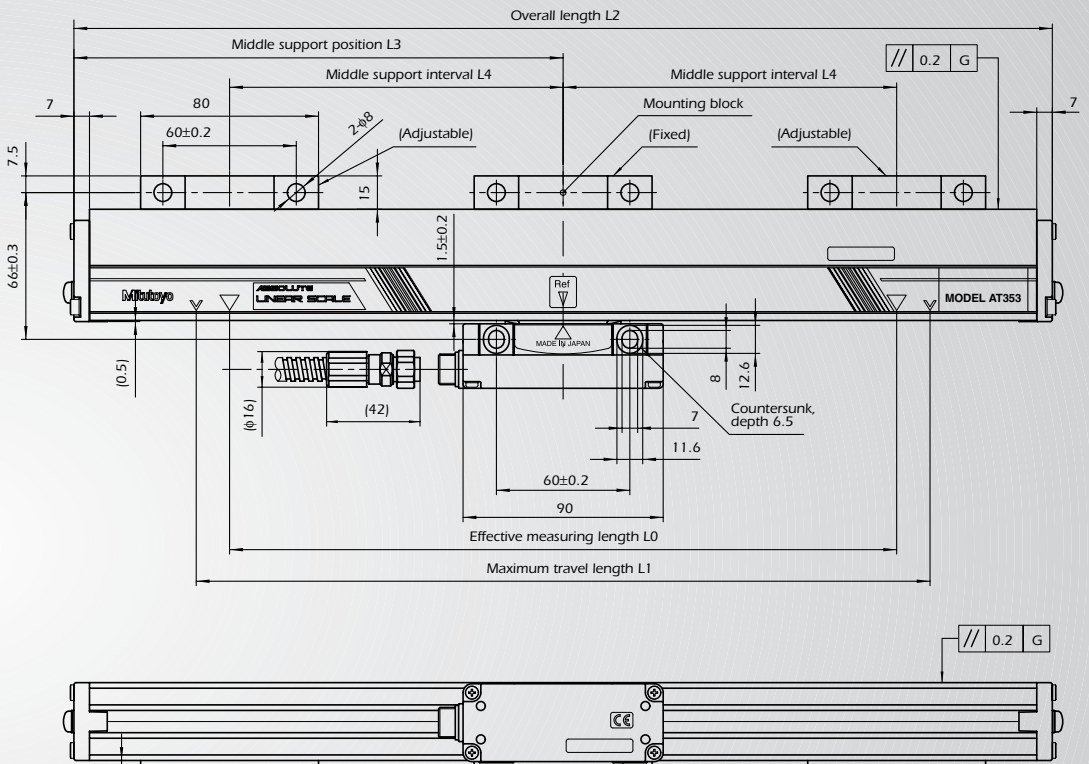
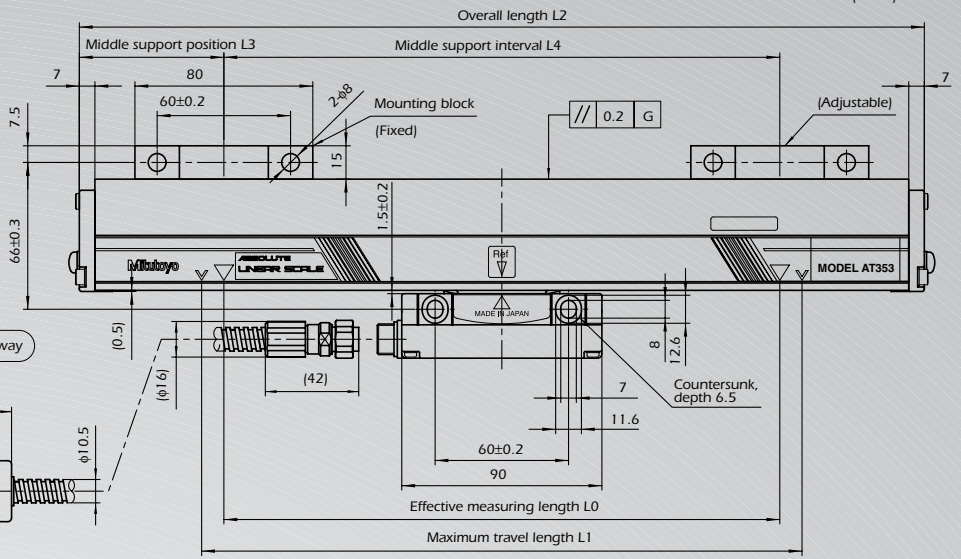
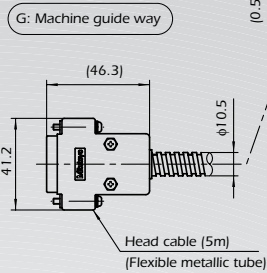
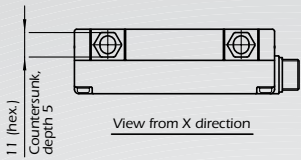
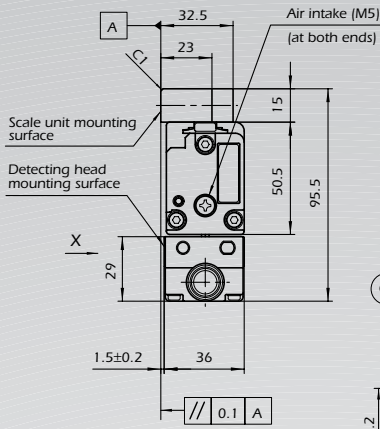
APPLICATIONS

- Position feedback for NC control.
- NC system with linear motor.

SPECIFICATIONS

Scale	Graduation	20 μ m
	Material	Glass, Thermal expansion coefficient: 8x10 ⁻⁶ /°C
Detecting method		Electrostatic capacitance/photoelectric type
Mounting method		Frame
Accuracy (at 20°C)		Up to 1500mm: (3+3L ₀ /1000) μ m Over 1500mm: (5+5L ₀ /1000) μ m
Output signal		Absolute position serial data with FANUC NC format
Effective range		100 to 3000mm (20 models)
Resolution		0.05 μ m
Max. response speed		2m/sec (120m/min)
Supply current		250mA (max.)
Power supply		DC5V (-3% to +5%)
Operation temperature		0°C to 45°C
Storage temperature		-20°C to 70°C

Dimensions



Unit: mm

AT353	L0	L1	L2	L3	L4	B
-100	100	120	230	65	100	2
-150	150	170	280	65	150	2
-200	200	220	330	65	200	2
-250	250	270	380	65	250	2
-300	300	330	440	220	150	3
-350	350	380	490	245	175	3
-400	400	430	540	270	200	3
-450	450	480	590	295	225	3
-500	500	540	650	325	250	3
-600	600	650	760	380	300	3
-700	700	760	870	435	350	3
-750	750	810	920	460	375	3
-800	800	860	970	485	400	3
-900	900	960	1070	535	450	3
-1000	1000	1060	1170	585	500	3
-1100	1100	1160	1270	635	275	5
-1200	1200	1260	1370	685	300	5
-1300	1300	1360	1470	735	325	5
-1400	1400	1460	1570	785	350	5
-1500	1500	1560	1670	835	375	5
-1600	1600	1690	1800	900	400	5
-1700	1700	1790	1900	950	425	5
-1800	1800	1890	2000	1000	450	5
-2000	2000	2100	2210	1105	335	7
-2200	2200	2300	2410	1205	370	7
-2400	2400	2500	2610	1305	400	7
-2500	2500	2600	2710	1355	315	9
-2600	2600	2700	2810	1405	325	9
-2800	2800	2900	3010	1505	350	9
-3000	3000	3050	3210	1605	375	9

L0: Effective measuring length
 L1: Maximum travel length
 L2: Overall length
 L3: Middle support position
 L4: Middle support interval
 B: Number of mounting block
 Refer to the details on the back page.

Specifications are subject to change without notice.

Mitutoyo

PRECISION IS OUR PROFESSION



FM25828
 ISO 9002

Mitutoyo Corporation

20-1, Sakado 1-chome, Takatsu-ku, Kawasaki-shi,
 Kanagawa 213-0012, Japan
 Phone (044)813-8230 Fax (044)813-8231
<http://www.mitutoyo.co.jp>

