

Mitutoyo

AT211

SERIES 539 Sealed Linear Encoder

**High-accuracy
Sealed Linear Encoder
for High-speed Motion!**



FEATURES

- High response speed of 2m/sec (at 1 μ m resolution).
- High-accuracy glass scale.
- Good protection against harsh environment.
- Resolutions from 0.1 μ m to 5 μ m for many applications.
- Two choices of mounting method for easy installation.

Frame mounting: Ensures high resistance to vibration (200m/s²) and impact (250m/s²).

End mounting: Can be installed on a non-machined surface.

- Outputs scale reference point signal.
- Provides LED alarm indication for easy diagnostics.
- Direct connection with a machine controller via a pulse signal output (conforming to RS-422A).
- Selectable features for optimal application performance.

APPLICATIONS

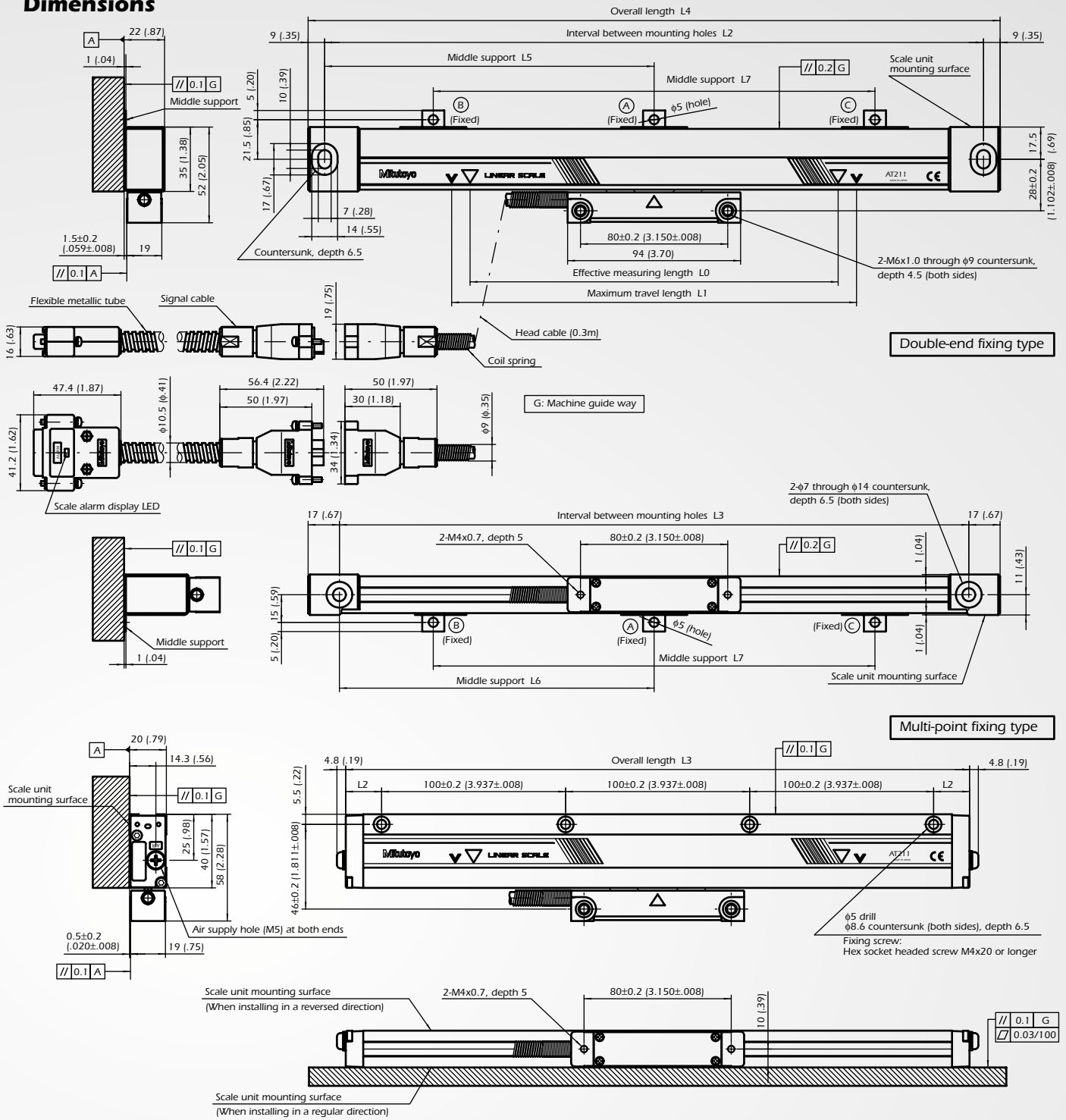
- Machining centers, Chip mounters, Linear motor driven stages and Testing equipment.

SPECIFICATIONS

Scale	Graduation	20 μ m
	Material	Glass, Thermal expansion coefficient: 8x10 ⁻⁶ /°C
Mounting method*		End blocks or frame
Accuracy* (at 20°C)		(3+3L ₀ /1000) μ m or (2+2L ₀ /1000) μ m (up to 500mm)
Output signal		A/B quadrature signal with resolutions specified below Scale reference point Alarm signal
Effective range*		100 to 500mm (50mm step), 600, 700, 750 or 800 to 1500mm (100mm step)
Resolution*		0.1 μ m, 0.2 μ m, 0.5 μ m, 1 μ m, 2.5 μ m or 5 μ m
Min. edge interval*		125ns, 250ns, 333ns, 500ns or 1000ns
Max. response speed*		120m/min (depending on the choice of resolution and edge interval)
Cable*	Head cable	Choice of length, with or w/o metal cover and connector.
Operating temperature		0°C to 45°C

*Selectable for factory-setting

Dimensions



Specifications are subject to change without notice.

Mitutoyo
PRECISION IS OUR PROFESSION



Mitutoyo Corporation
20-1, Sakado 1-chome, Takatsu-ku, Kawasaki-shi,
Kanagawa 213-0012, Japan
Phone (044)813-8230 Fax (044)813-8231
<http://www.mitutoyo.co.jp>

