

ID-S SOLAR ABS INDICATOR

Solar powered indicator without battery

SOLAR

The World's
First Solar ABS
Digimatic Indicator



ID-S Solar ABS Digimatic Indicator

- Measurement tool with a solar power source. Ready for use from 40 lux illumination.
- Two large function buttons improve operability.
- Mitutoyo's unique ABS (Absolute) sensor automatically restores the last origin position when the indicator is turned on. This allows quick-start operation, which is especially useful in multipoint measurement.
- A super capacitor maintains a reserve of approximately 3.5 hours under low light conditions.
- Origin-set, +/- direction and inch/mm
- Resolution: .0005"/0.01mm or .00005"/0.001mm
- Measuring range: .5"/12.7mm
- Stem diameter: 3/8" or 8mm available
- SPC output provided
- Character height: 9mm

ABSOLUTE
Absolute System Patented by MITUTOYO

Mitutoyo

ID-S Solar ABS Digimatic Indicator

Specifications

Order Number	Model	Range	Resolution	Stem Diameter	Measuring Force	Back Type
543-502	ID-S112ES	.5"/12.7mm	.00005"/0.001mm (ANSI)	3/8"	1.5N or less	Lug Back
543-502B	ID-S112ESB	.5"/12.7mm	.00005"/0.001mm (ANSI)	3/8"	1.5N or less	Flat Back
543-507	ID-S1012ES	.5"/12.7mm	.0005"/0.01mm (ANSI)	3/8"	1.5N or less	Lug Back
543-507B	ID-S1012ESB	.5"/12.7mm	.0005"/0.01mm (ANSI)	3/8"	1.5N or less	Flat Back
543-500	ID-S112S	12.7mm	0.001mm (ISO)	8mm	1.5N or less	Lug Back
543-500B	ID-S112B	12.7mm	0.001mm (ISO)	8mm	1.5N or less	Flat Back
543-505	ID-S1012S	12.7mm	0.01mm (ISO)	8mm	1.5N or less	Lug Back
543-505B	ID-S1012SB	12.7mm	0.01mm (ISO)	8mm	1.5N or less	Flat Back
543-501	ID-S112MS	.5"/12.7mm	.00005"/0.001mm (ISO)	8mm	1.5N or less	Lug Back
543-501B	ID-S112MSB	.5"/12.7mm	.00005"/0.001mm (ISO)	8mm	1.5N or less	Flat Back
543-506	ID-S1012MS	.5"/12.7mm	.0005"/0.01mm (ISO)	8mm	1.5N or less	Lug Back
543-506B	ID-S1012MSB	.5"/12.7mm	.0005"/0.01mm (ISO)	8mm	1.5N or less	Flat Back



Lifting Lever



Lifting Knob



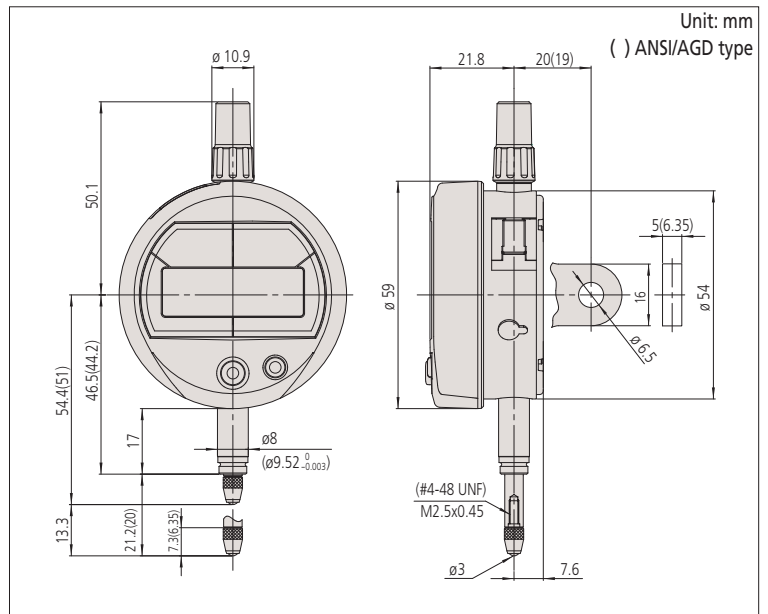
Lifting Cable



Optional accessories

Lifting lever (mm)	:No. 21EZA198
Lifting lever (inch)	:No. 21EZA199
Lifting cable	:No. 540774
Lifting knob (mm)	:No. 21EZA105
Lifting knob (inch)	:No. 21EZA150
Digimatic cable (1m)	:No. 905338
Digimatic cable (2m)	:No. 905409

Dimensions



- Coordinate Measuring Machines
- Vision Measuring Systems
- Form Measurement
- Optical Measuring
- Sensor Systems
- Testing Equipment and Seismometer
- Digital Scale and DRO Systems
- Small Tool Instruments and Data Management

Mitutoyo America Corporation

www.mitutoyo.com

One Number to Serve You Better
1-888-MITUTOYO (1-888-648-8869)

M³ Solution Centers
Aurora, Illinois
(Corporate Headquarters)

Westford, Massachusetts
Huntersville, North Carolina
Mason, Ohio
Plymouth, Michigan
City of Industry, California

Mitutoyo
Precision is our Profession