

NEWS

Digimatic Bore Gage

Mitutoyo introduces a new digimatic bore gage with the following features:

- .00012" (0.003mm) or less wide range accuracy
- Anvil displacement is directly detected by the ultra compact built-in sensor (no mechanical transmitter is used)
- Maximum extension up to 78.74" (2000mm)
- Reaches deep holes easily!
- Simple to operate – can preset 3 reference (master) value and set upper/lower tolerance limits for each!
- IP53 dust/water protection level



Specifications

Order No.	511-521
Range	1.8" - 4" (45 - 100mm)
Contact Point Stroke	.048" / 1.2mm
Resolution	.00005" / 0.001mm
Wide range accuracy	.00012" / 0.003mm
Narrow range accuracy	.00008" / 0.002mm
Repeatability	±1 count
Quantizing error	±1 count
Measuring force	5N or less
Battery (541980)	Silver oxide cell (SR-44-2 pcs.)
Battery Life	9 months under normal use
Sensor/scale	Electrostatic capacitance absolute scale
Sampling frequency	50 times / sec
Protection level	IP53
Data output	SPC data output
Mass	1.1 lbs. / 500g

Standard Accessories

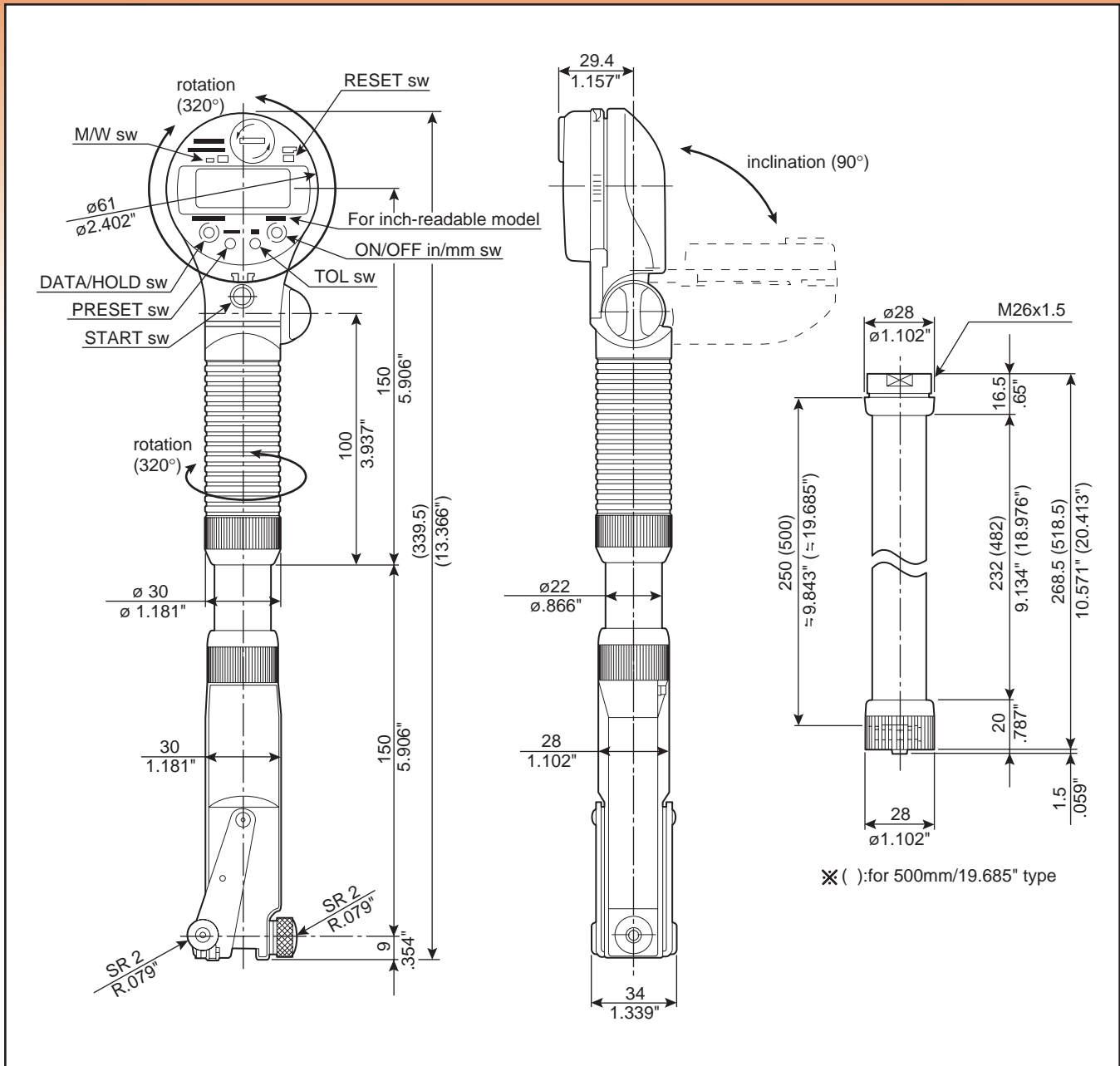
Anvils	14 pcs.
Spacer	4 pcs. .02", .04", .08", .12"
Hex Wrench	1 pc.

Optional Accessories

905338	SPC Cable 40"/1m
905409	SPC Cable 80"/2m
21DZA089	Extension Rod 9.84"/250mm
21DZA081	Extension Rod 19.69"/500mm

NEW Product News

Digimatic Bore Gage



Distributed By:

Mitutoyo
www.mitutoyo.com

Mitutoyo America Corporation

New Jersey
18 Essex Road
Paramus, NJ 07652
Phone: (201) 368-0525
Fax: 201-343-4969

Michigan
45001 Five Mile Road
Plymouth, MI 48170
Phone: (734) 459-2810
Fax: 734-459-0455

Illinois
965 Corporate Blvd.
Aurora, IL 60504
Phone: (630) 978-5385
Fax: 630-820-7403

California
16925 Gale Ave.
City of Industry, CA 91745
Phone: (626) 961-9661
Fax: 626-333-8019