

Digimatic Universal Protractor



Features:

- Specifications of the Digimatic Universal Protractor with output function.
- Programmable presetting point.
- Interchangeable measuring face on the blade.
- Can be attached to Height gages.
- Battery life: 2000 hours.
- Product conforming to the EMC directive.

NEW Product News

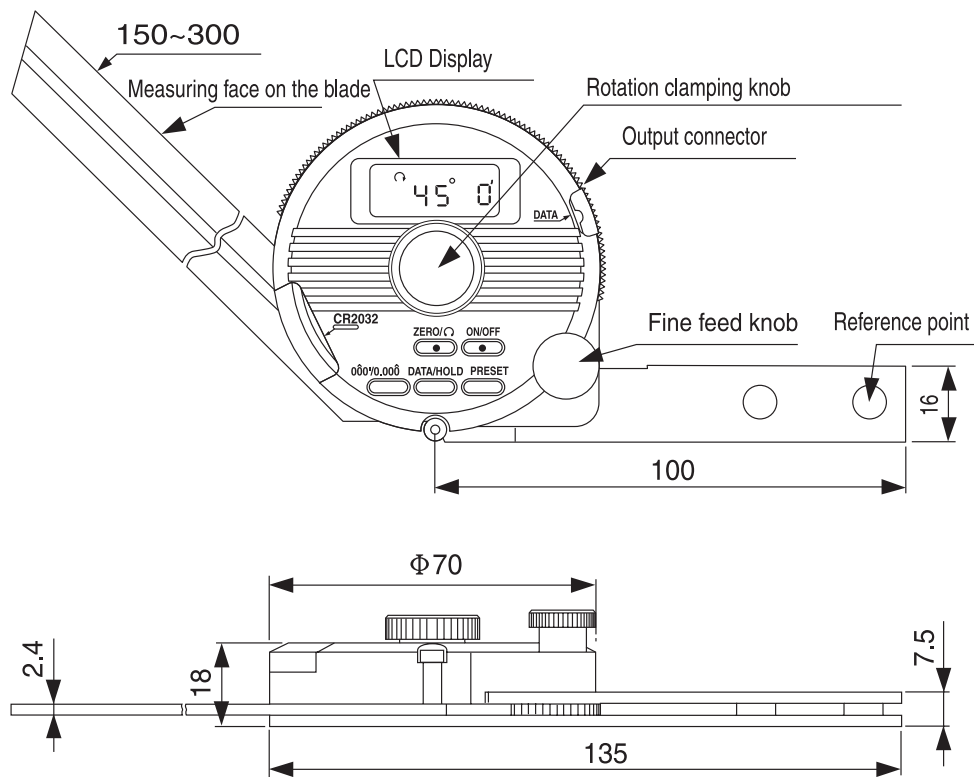
Specifications

Code No.	187-552
Model	BP-D300E
Blade	12" (187-103)
Display	LCD - 5 digit, (-) sign, Character height 6.5mm
Measuring range	-360° ~ +360°
Resolution	1' (0.01°)
Accuracy	± 2' (± 0.03°)
Repeatability	1' (0.01°)
Dust/Water protection level	IP40
Function	Zero, Direction select, Data output/Data hold, Preset, Switchable Seagesimal or Decimal Natation
Max. response speed	3 rps
Battery	Lithium battery(CR2032) 1pc. (Part No. 05SAA217)

Battery life	2,000 hours
Alarm	Battery voltage low (XXX), Over speed error (Err)
Mass	1.45 lbs (659 g)
Temperature	Operation temperature: 0 to 40°C Storage temperature: -10 to 60°C
Standard Accessories	12" Blade (Code No. 187-103) Battery (CR2032) (Part No. 05SAA217) Clamp box for Inch Height Gage (Part No. 950749) Plastic Case

Optional Accessories

Order No.	Description
187-104	6" blade
187-105	Acute angle attachment
950750	Clamp box for Metric Height Gage
905338	Connecting cable 1m (40")
905409	Connecting cable 2m (80")



Distributed By:

Mitutoyo
www.mitutoyo.com

Mitutoyo America Corporation

New Jersey
18 Essex Road
Paramus, NJ 07652
Phone: (201) 368-0525
Fax: 201-343-4969

Michigan
45001 Five Mile Road
Plymouth, MI 48170
Phone: (734) 459-2810
Fax: 734-459-0455

Illinois
965 Corporate Blvd.
Aurora, IL 60504
Phone: (630) 978-5385
Fax: 630-820-7403

California
16925 Gale Ave.
City of Industry, CA 91745
Phone: (626) 961-9661
Fax: 626-333-8019