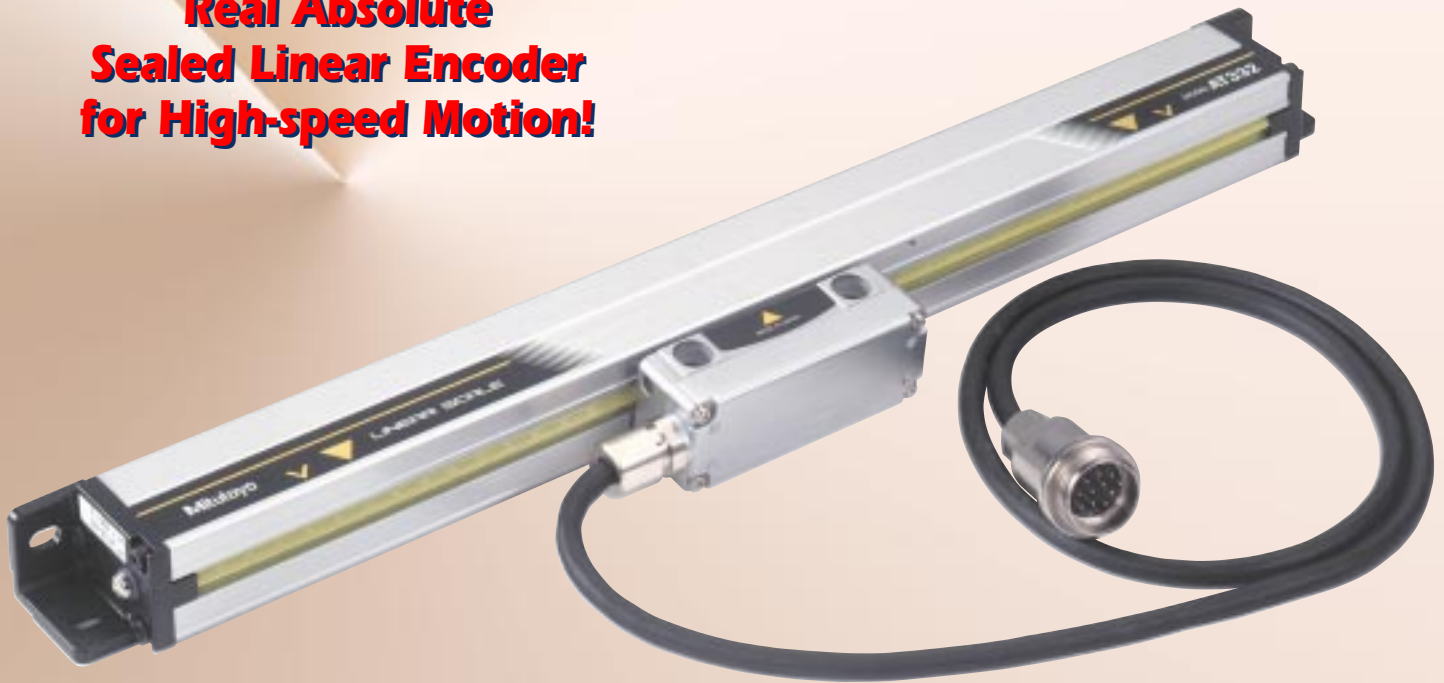




AT332

SERIES 539 Sealed Linear Encoder

**High-accuracy
Real Absolute
Sealed Linear Encoder
for High-speed Motion!**



FEATURES

- Hybrid real absolute glass scale with electrostatic capacitance/photoelectric technology.
- No origin point restoration required.
- 0.5 μ m resolution.
- High response speed of 1.83m/sec (110m/min).
- Direct connection with FANUC NC controller.
- Good protection against harsh environment.

APPLICATIONS

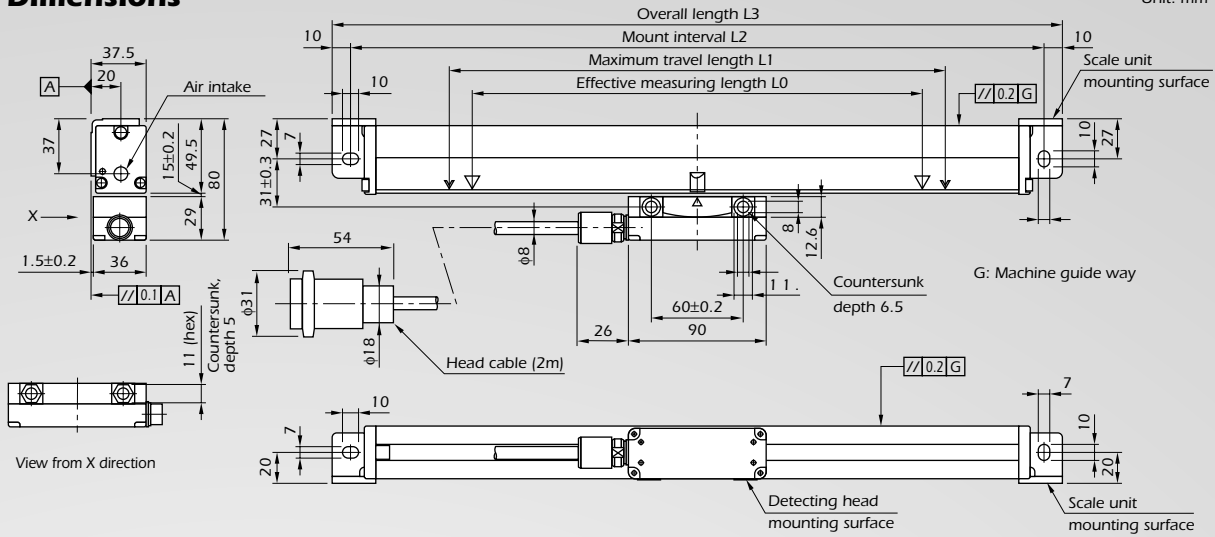
- Position feedback for NC control of machining center, lathe machine, etc..

SPECIFICATIONS

Scale	Graduation Material	20 μ m Glass, Thermal expansion coefficient: (8 \pm 1) \times 10 ⁻⁶ /°C
Detecting method		Electrostatic capacitance/photoelectric type
Mounting method		End blocks
Accuracy (at 20°C)		Up to 1500mm: (3+3L ₀ /1000) μ m Over 1500mm: (5+5L ₀ /1000) μ m
Output interface		FANUC NC controller interface
Output method		Differential line driver
Main signal output pitch		2 μ m
Effective range		100 to 3000mm (20 models)
Resolution		0.5 μ m
Max. response speed		1.83m/sec (110m/min)
Supply current		300mA (max.)
Power supply		DC5V (\pm 5%)
Operation temperature		0°C to 45°C
Storage temperature		-20°C to 70°C

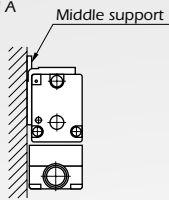
Dimensions

Unit: mm

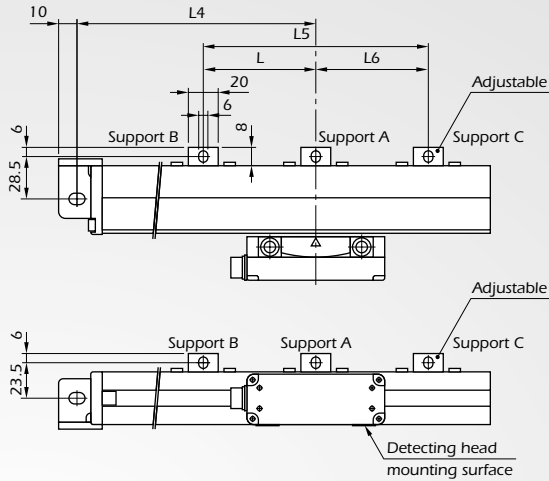
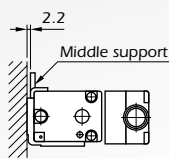


Middle support

Mounting method A

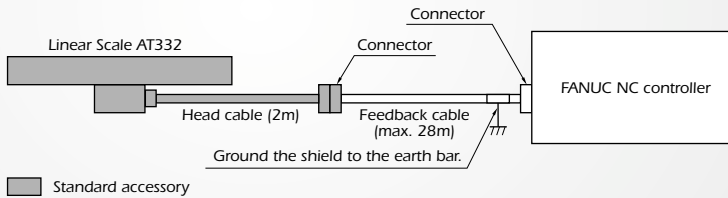


Mounting method B



Unit: mm								
Model	L0	L1	L2	L3	L4	L5	L6	Cable
AT332-100	100	120	248	268				
AT332-150	150	170	298	318				
AT332-200	200	220	348	368				
AT332-250	250	270	398	418				
AT332-300	300	330	458	478				
AT332-350	350	380	508	528				
AT332-400	400	430	558	578				
AT332-450	450	480	608	628				
AT332-500	500	540	668	688				
AT332-600	600	650	778	798				
AT332-700	700	760	888	908				
AT332-750	750	810	938	958				
AT332-800	800	860	988	1008				
AT332-900	900	960	1088	1108				
AT332-1000	1000	1060	1188	1208	594			5
AT332-1100	1100	1160	1288	1308	644			5
AT332-1200	1200	1260	1388	1408	694			5
AT332-1300	1300	1360	1488	1508	744			5
AT332-1400	1400	1460	1588	1608	794			5
AT332-1500	1500	1560	1688	1708	844			5
AT332-1600	1600	1690	1818	1838		610		5
AT332-1700	1700	1790	1818	1938		650		5
AT332-1800	1800	1890	2018	2038		670		5
AT332-2000	2000	2100	2228	2248		740		5
AT332-2200	2200	2300	2428	2448		800		5
AT332-2400	2400	2500	2628	2648	1314	1300	650	7
AT332-2500	2500	2600	2728	2748	1364	1340	670	7
AT332-2600	2600	2700	2828	2848	1414	1400	700	7
AT332-2800	2800	2900	3028	3048	1514	1500	750	7
AT332-3000	3000	3050	3228	3248	1514	1600	800	7

System Configuration



- L0: Effective measuring length
- L1: Maximum travel length
- L2: Mount interval
- L3: Overall length
- L4: Middle support position
- L5: Middle support interval
- L6: Middle support interval
- Cable: Signal cable length (m)

Specifications are subject to change without notice.

Mitutoyo

PRECISION IS OUR PROFESSION

Mitutoyo Corporation

20-1, Sakado 1-chome, Takatsu-ku, Kawasaki-shi,
Kanagawa 213-0012, Japan
Phone (044)813-8230 Fax (044)813-8231
<http://www.mitutoyo.co.jp>