

NEW PRODUCT INFORMATION

Surftest EXTREME SV-3000 Series

The unique solution in a fully-automatic CNC surface measuring station

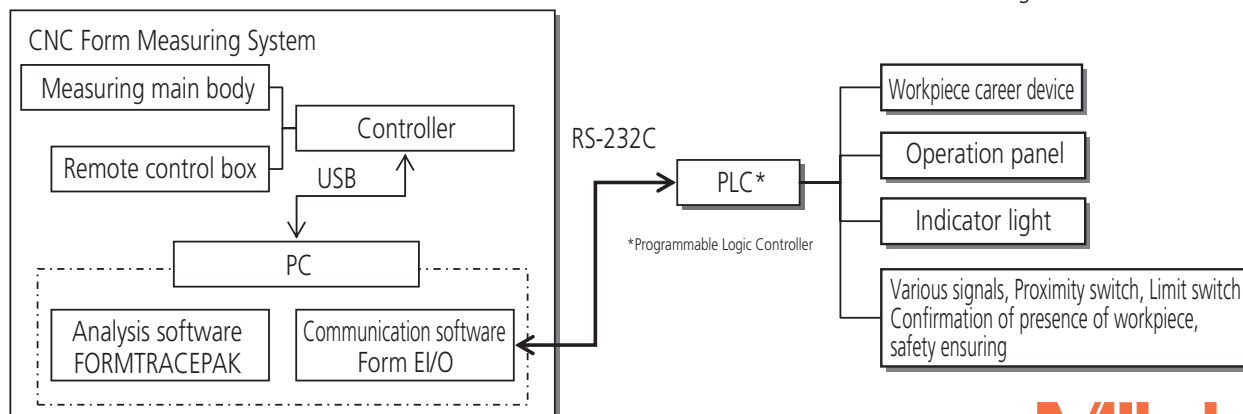


Example: Full automatic thin board surface roughness measuring machine

Features

This unique and innovative solution uses bi-directional communication to control the workpiece loading and unloading fixture as well as the necessary measuring sequences. The result is an efficient, fully-automatic measuring system.

- Complete automation of measurement on both sides of a thin sheet of steel clamped in the workpiece holder.
- The lockable cover is fitted with a sensor switch in compliance with safety standards.
- Meets surface roughness measurement standards ISO84/97, JIS82/94/01 etc. CNC form measuring machine.



Coordinate Measuring Machines

Vision Measuring Systems

Surface, Form and Contour
Measurement

Optical Measuring

Sensor Systems

Hardness Measuring

Digital Scale and DRO Systems

Small Tool Instruments and
Data Management

Mitutoyo America Corporation

www.mitutoyo.com

Michigan
(734) 459-2810

Massachusetts
(978) 692-8765

Illinois
(630) 978-5385

Indiana
(317) 577-6070

California
(626) 961-9661

No. Carolina
(704) 875-8332

Note: All information regarding our products, and in particular the illustrations, drawings, dimensional and performance data contained in this pamphlet, as well as other technical data are to be regarded as approximate average values. We therefore reserve the right to make illustrations of the responding designs, dimensions and weights. The stated standards, similar technical regulations, descriptions and illustrations of the products were valid at the time of printing. In addition, the latest applicable version of our General Trading Conditions will apply. Only quotations submitted by ourselves may be regarded as definitive.

Mitutoyo
Precision is our Profession