

# NEW PRODUCT INFORMATION



## CERA Straight Master

### Features

- Made from alumina ceramics
- 1.97" (50mm) pitch graduation scales
- Precision lapped measuring surface
- Lightweight



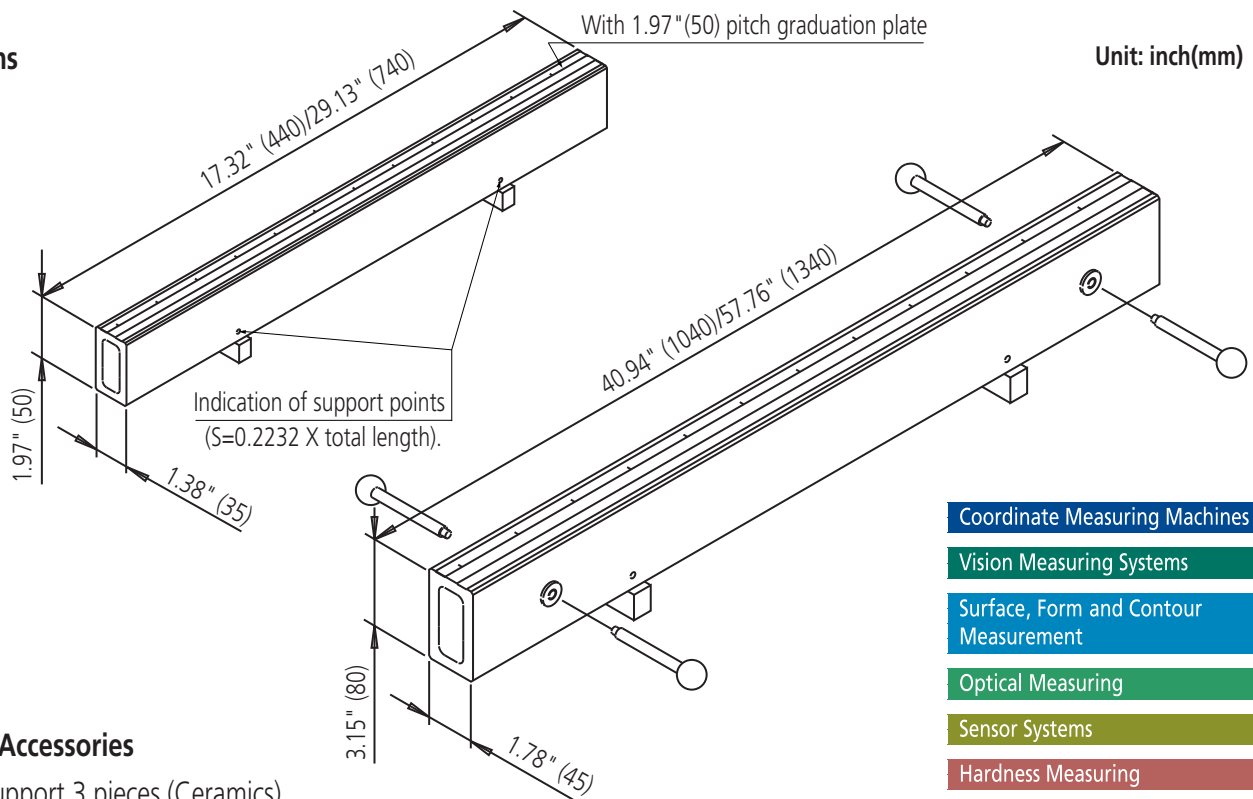
The Cera Straight Master is a master gage used for the inspection of straightness of each axis of a Coordinate Measuring Machine (CMM), machine tools, semiconductor related equipment, and form measurement machines. This light weight, easy to carry, straightness master is made of alumina ceramics, compared with conventional masters made from stone or iron.

**Mitutoyo**  
Precision is our Profession

## Technical Data

Order No.	311-302-33	311-322-33	311-305-33	311-325-33	311-307-33	311-327-33	311-309-33	311-329-33
Range	400mm	16"	700mm	28"	1000mm	40"	1300mm	50"
Size (WxH)	1.38" x 1.97" (35 x 50mm)				1.78" x 3.15" (45mm x 80mm)			
Straightness	0.3µm	12µin	0.5µm	20µin	1µm	40µin	1.5µm	60µin
Weight	3.96 lb (1.8kg)		6.6 lb (3kg)		17.6 lb (8kg)		22 lb (10kg)	

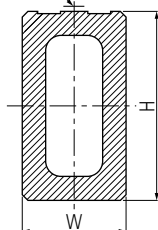
## Dimensions



## Standard Accessories

- Saddle support 3 pieces (Ceramics)
- Wooden case
- Carrying handle 4 pieces  
Thread type (for over 39.37"/1000mm type)
- Chamois
- Glove for inspection
- Inspection certificate
- Calibration certificate
- Warranty card
- User's manual

An accuracy guaranteed surface:  
width of .24" (6mm) x Effective length: center distribution



Coordinate Measuring Machines	▬
Vision Measuring Systems	▬
Surface, Form and Contour Measurement	▬
Optical Measuring	▬
Sensor Systems	▬
Hardness Measuring	▬
Digital Scale and DRO Systems	▬
Small Tool Instruments and Data Management	▬

## Mitutoyo America Corporation

www.mitutoyo.com

**Michigan**  
(734) 459-2810

**Massachusetts**  
(978) 692-8765

**Illinois**  
(630) 978-5385

**Indiana**  
(317) 577-6070

**California**  
(626) 961-9661

**No. Carolina**  
(704) 875-8332

Note: All information regarding our products, and in particular the illustrations, drawings, dimensional and performance data contained in this pamphlet, as well as other technical data are to be regarded as approximate average values. We therefore reserve the right to make illustrations of the responding designs, dimensions and weights. The stated standards, similar technical regulations, descriptions and illustrations of the products were valid at the time of printing. In addition, the latest applicable version of our General Trading Conditions will apply. Only quotations submitted by ourselves may be regarded as definitive.

**Mitutoyo**  
Precision is our Profession