

NEW PRODUCT INFORMATION

Coolant Proof Micrometer IP65 Dust/Water Protection Level



Performing environmental (temperature) test.



Performing air leak test.



Performing electric module test.



Coolant Proof Micrometer

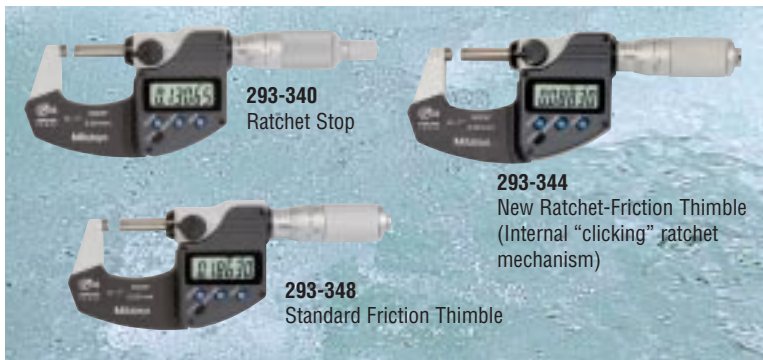
$\pm .00005'' / \pm 1\mu\text{m}$

Instrument error
(up to 75mm/3" models)

**The New Standard in
World Digital Micrometers!**



Special SPC cable with
IP65 protection level



293-340
Ratchet Stop

293-344
New Ratchet-Friction Thimble
(Internal "clicking" ratchet
mechanism)

293-348
Standard Friction Thimble

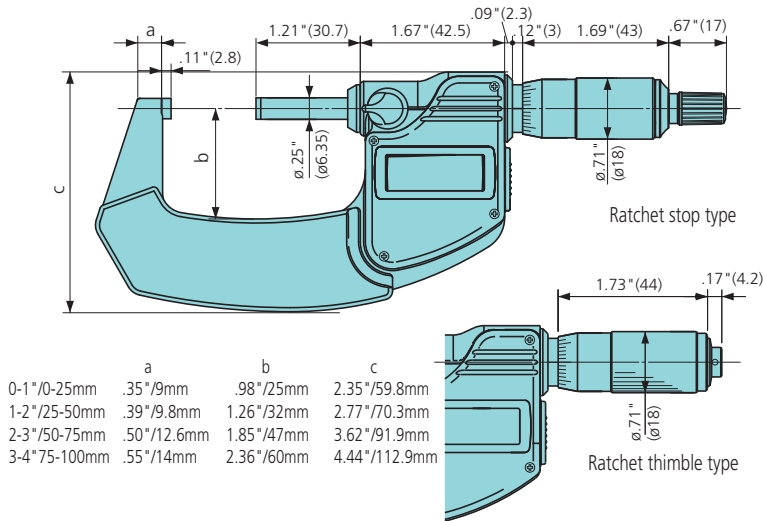
Mitutoyo
Precision is our Profession

Specifications

Coolant Proof Micrometer IP65 Dust/Water Protection Level

Order No.	Range	LCD Resolution	Accuracy	Remarks
293-330	0-1"/0-25.4mm	.00005"/0.001mm	±.00005"	with SPC output Ratchet Stop
293-331	1-2"/25.4-50.8mm	.00005"/0.001mm	±.00005"	with SPC output and Standard Ratchet Stop
293-332	2-3"/50.8-76.2mm	.00005"/0.001mm	±.00005"	with SPC output and Standard Ratchet Stop
293-333	3-4"/76.2-101.6mm	.00005"/0.001mm	±.0001"	with SPC output and Standard Ratchet Stop
293-340	0-1"/0-25.4mm	.00005"/0.001mm	±.00005"	without SPC output Ratchet Stop
293-341	1-2"/25.4-50.8mm	.00005"/0.001mm	±.00005"	without SPC output Ratchet Stop and Standard
293-342	2-3"/50.8-76.2mm	.00005"/0.001mm	±.00005"	without SPC output Ratchet Stop and Standard
293-343	3-4"/76.2-101.6mm	.00005"/0.001mm	±.0001"	without SPC output Ratchet Stop and Standard
293-344	0-1"/0-25.4mm	.00005"/0.001mm	±.00005"	without SPC output Ratchet-Friction Thimble
293-345	1-2"/25.4-50.8mm	.00005"/0.001mm	±.00005"	without SPC output Ratchet-Friction Thimble and Standard
293-346	2-3"/50.8-76.2mm	.00005"/0.001mm	±.00005"	without SPC output Ratchet-Friction Thimble and Standard
293-347	3-4"/76.2-101.6mm	.00005"/0.001mm	±.0001"	without SPC output Ratchet-Friction Thimble and Standard
293-348	0-1"/0-25.4mm	.00005"/0.001mm	±.00005"	without SPC output Friction Thimble
293-349	0-1"/0-25.4mm	.0001"/0.001mm	±.0001"	without SPC output Friction Thimble

Dimensions



Optional Accessories

- SPC connecting cable
 - No. 05CZA662 40" (1m)
 - No. 05CZA663 80" (2m)
- Digimatic Mini-Processor
 - No. 264-504-5A (120V)



- Coordinate Measuring Machines
- Vision Measuring Systems
- Surface Roughness, Form and Contour Measurement
- Digital Scale and DRO Systems
- Optical Measuring Machines
- Sensor Systems
- Hardness Measuring Machines
- Small Tool Instruments and Data Management



Input unit
 Digimatic gage/PC data input device
 No. 264-012 (USB type)
 No. 264-005 (Keyboard type)
 No. 264-007 (RS-232C type)

Mitutoyo America Corporation
 www.mitutoyo.com

M³ Solution Center

Michigan (734) 459-2810	Massachusetts (978) 692-8765
Illinois (630) 978-5385	Indiana (317) 577-6070
California (626) 961-9661	No. Carolina (704) 875-8332

Mitutoyo
 Precision is our Profession

Note: All information regarding our products, and in particular the illustrations, drawings, dimensional and performance data contained in this pamphlet, as well as other technical data are to be regarded as approximate average values. We therefore reserve the right to make illustrations of the responding designs, dimensions and weights. The stated standards, similar technical regulations, descriptions and illustrations of the products were valid at the time of printing. In addition, the latest applicable version of our General Trading Conditions will apply. Only quotations submitted by ourselves may be regarded as definitive.