

PRODUCT INNOVATIONS

Digimatic Indicator IDS

*.00005in / .0001in / 0.001mm
Resolution Models*

The long-awaited
low price and
high-resolution
digital indicators
are at hand!

IP42

IP53



Technical Data:

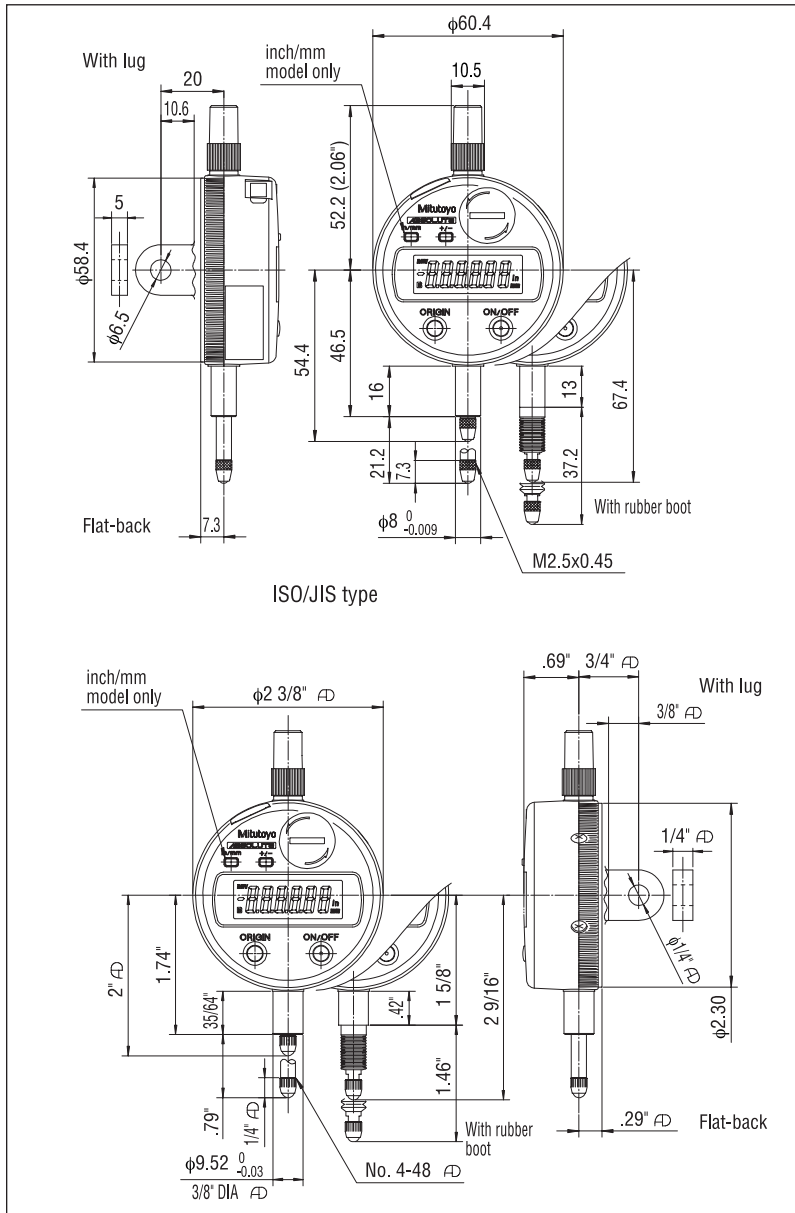
- **Display:** LCD (Character height: 8.5mm)
- **Functions:** Origin-Set, Power on/off, \pm Counting directions, Inch/mm conversion (inch/mm model only), SPC data output
- **Battery:** SR44 (1 pc.) (938882)
- **Battery life:** Approx. 20,000 hours in continuous use
- **Quantizing error:** ± 1 count
- **Alarm:** Low battery voltage, scale contamination
- **Operating temperature:** 0°C to 40°C
- **Storage temperature:** -10°C to 60°C
- **Mass:** Approx. 150g (.33 lbs.)

Mitutoyo
Precision is our Profession

Resolution	Range	Order No.		Accuracy at 20°C	Stem dia.	Contact pt./Thread	Dust/Water Protection Grade
		Back w/lug	Flat-back				
.0001"/0.001mm	.5" (12.7mm)	543-693	543-693B	.00012"	3/8"	Steel/4-48UNF	IP-42
.00005"/0.001mm	.5" (12.7mm)	543-692	543-692B	.00012"	3/8"	Steel/4-48UNF	IP-42
.00005"/0.001mm	.5" (12.7mm)	543-691	543-691B	0.003mm	8mm	Carbide/M2.5 x 0.45	IP-42
0.001mm	12.7mm	543-690	543-690B	0.003mm	8mm	Carbide/M2.5 x 0.45	IP-42
.00005"/0.001mm	.5" (12.7mm)	543-696	543-696B	.00012"	3/8"	Steel/4-48UNF	IP-53 **
.00005"/0.001mm	.5" (12.7mm)	543-695	543-695B	0.003mm	8mm	Carbide/M2.5 x 0.45	IP-53 **
0.001mm	12.7mm	543-694	543-694B	0.003mm	8mm	Carbide/M2.5 x 0.45	IP-53 **

• Measuring force: 2.0N or less ** Includes rubber boot

Dimensions – Unit: mm



Optional Accessories

- 905338:** SPC cable (1m/40")
- 905409:** SPC cable (2m/80")
- 540774:** Release cable
- 903424:** Lifting lever assy for ISO/JIS type
- 903425:** Lifting lever assy for AGD type
- 02ACB420:** Lug-on-center back for ISO/JIS type
- 02ACB430:** Lug-on-center back for AGD type
- 02ACB440:** Flat back
- 02ACB610:** Back with post
- 02ACB630:** Adjustable back for ISO/JIS type
- 02ACB620:** Adjustable back for AGD type
- 02ACB640:** Back with offset lug
- 02ACB650:** Magnetic back
- 02ACB670:** Back with screw mount for ISO/JIS type
- 02ACB660:** Back with screw mount for AGD type
- 02ACB680:** Back with adjustable bracket
- 125317:** Rubber boot

- Coordinate Measuring Machines
- Vision Measuring Systems
- Surface, Form and Contour Measurement
- Optical Measuring
- Sensor Systems
- Hardness Measuring
- Digital Scale and DRO Systems
- Small Tool Instruments and Data Management

Mitutoyo America Corporation
www.mitutoyo.com

Michigan (734) 459-2810
Massachusetts (978) 692-8765
Illinois (630) 978-5385
Indiana (317) 577-6070
California (626) 961-9661
No. Carolina (704) 875-8332

Note: All information regarding our products, and in particular the illustrations, drawings, dimensional and performance data contained in this pamphlet, as well as other technical data are to be regarded as approximate average values. We therefore reserve the right to make illustrations of the responding designs, dimensions and weights. The stated standards, similar technical regulations, descriptions and illustrations of the products were valid at the time of printing. In addition, the latest applicable version of our General Trading Conditions will apply. Only quotations submitted by ourselves may be regarded as definitive.

Mitutoyo
Precision is our Profession