

# NEWS

## Dial Caliper Millennium Series Limited Edition

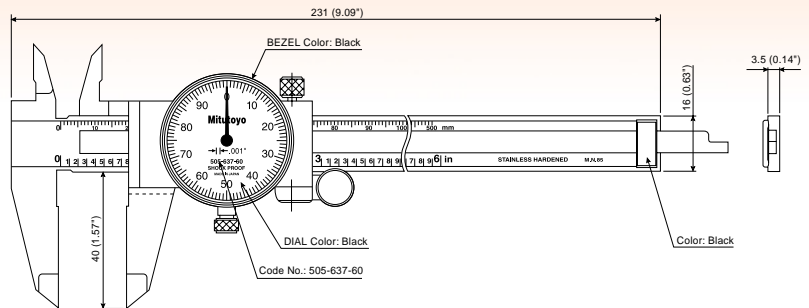
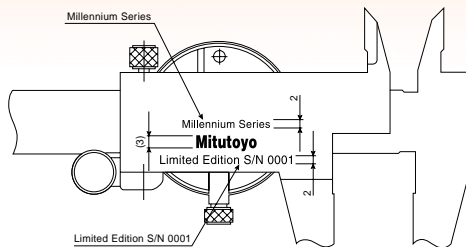


505-637-60A



### Features:

- Main beam and slider are hand polished to a mirror finish.
- An exquisitely crafted measuring tool ideal for ceremonial gifts and awards.
- Each dial caliper has laser marked Millennium Series and Serialized.
- Supplied in a beautifully finished mahogany case with matching serial number.



### Specifications

Order No.	Range	Dial Reading		Accuracy	Remarks
		Resolution	Range/Rev.		
505-637-60A	0-6"	.001"	.10"	±.001	

Distributed By:



Mitutoyo America Corporation

**New Jersey**  
18 Essex Road  
Paramus, NJ 07652  
Phone: (201) 368-0525  
Fax: 201-343-4969

**Michigan**  
45001 Five Mile Road  
Plymouth, MI 48170  
Phone: (734) 459-2810  
Fax: 734-459-0455

**Illinois**  
965 Corporate Blvd.  
Aurora, IL 60504  
Phone: (630) 978-5385  
Fax: 630-820-7403

**California**  
16925 Gale Ave.  
City of Industry, CA 91745  
Phone: (626) 961-9661  
Fax: 626-333-8019