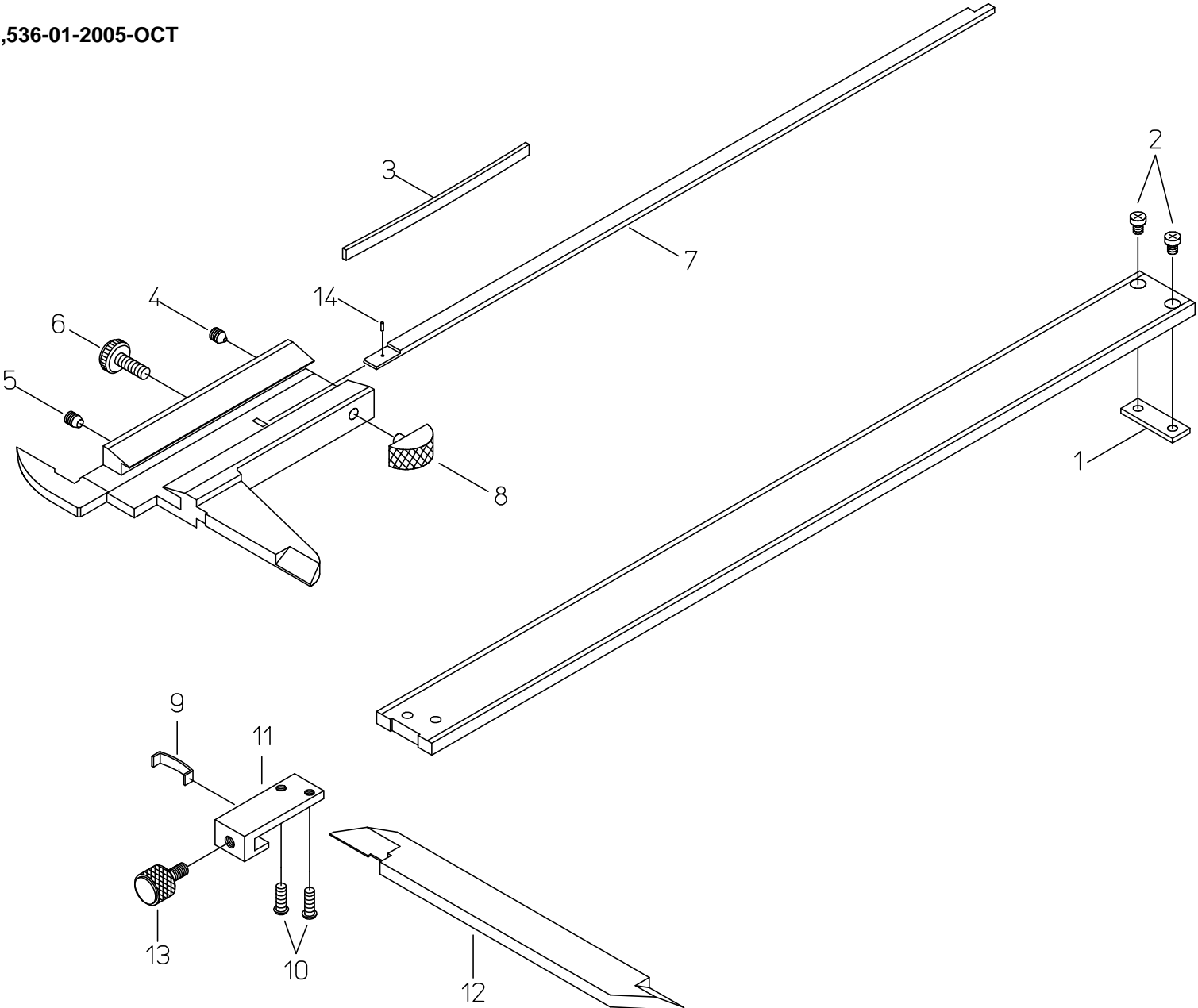


Ref No,536-01-2005-OCT



書類NO. 536-01

| KEY NO, | ブヒンメイ | PART NAME | 販売区分 CATEGORY | CODE NO, コードNO, | | | | | 備考 COMMENTS |
|---------|-----------|--------------------|------------------|--------------------|---------------------|--------------------|--------------------|--|----------------|
| | | | | 536-101 NT10-15 | 536-401 NT10-6"A | 536-102 NT10-20 | 536-103 NT10-30 | | |
| 1 | ブリッジストップ | STOPPER,SLIDER | | | 101734 | | 101517 | | |
| 2 | ヒラコネジ | SCREW,STOPPER | | | 101502 | | 101518 | | |
| 3 | イタハネ | GIB,SLIDER | | | 146504 | | 101969 | | |
| 4 | セットネジ | SCREW,GIB SETTING | | | 146663 | | 135426 | | |
| 5 | オシネジ | SCREW,GIB PRESSING | | | 101820 | | 135427 | | |
| 6 | クランプネジ | CLAMP,SLIDER | | | 135398 | | 142150 | | |
| 7 | デプスバー | DEPTH BAR,BLADE | X | | - | | | | |
| 8 | エビカケ | KNOB,SLIDER | | | 900298 | | 905193 | | |
| 9 | イタハネ | GIB,HOLDER | | | 128977 | | 121531 | | |
| 10 | シューシナハコネジ | SCREW,HOLDER | | | 120089 | | 124667 | | |
| 11 | クランプバコ | HOLDER,JAW | | | 128941 | | 121530 | | |
| 12 | ジョウ | JAW | Y1 | 120086 | 123142 | 121326 | 121529 | | |
| 13 | クランプネジ | CLAMP,JAW | | | 135398 | | 142150 | | |
| 14 | リハット | PIN,DEPTH BAR | X | | - | | | | |
| | | | | | | | | | |
| | | | | | | | | | |
| | | | | | | | | | |
| | | | | | | | | | |
| | | | | | | | | | |
| | | | | | | | | | |
| | | | | | | | | | |
| | | | | | | | | | |
| | | | | | | | | | |
| | | | | | | | | | |
| | | | | | | | | | |
| | | | | | | | | | |
| | | | | | | | | | |
| | | | | | | | | | |
| | | | | | | | | | |